

ONE CART ENDLESS DESIGN POSSIBILITIES



DISPLAY CART
WITH 4 SHELVES
AND CANOPY
(PDC2472T-TC)

The PDC2472T Power Point Cart System is the economical solution for out or indoor store front sales & promotions.

Design this compact cart system your way for a wide variety of floral and general merchandise products.

This will allow you to use it 365 days of the year.

ADVANTAGES

- Quick return on investment
- Compact 24" deep, large capacity
- Creates attractive store front
- Great promoter for any "Sale"
- Market test campaigns
- Easy to move through store front doors
- Solid build, long lasting
- Hot Dipped Galvanized steel after manufacturing
- Made in North America



DISPLAY CART WITH
4 SHELVES TILTED
AND CANOPY
(PDC2472T-TC)



5 TILTED SHELVES



3 TILTED SHELVES & 2 FLOWER RAILS

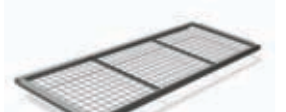


1 SHELF 10 PAIL HOLDERS & 2 FLOWER RAILS

POWER POINT CART COMPONENTS



PDC-TC
Canopy Assembly



A-180
Universal Shelf



PDC-2FR
Dual Flower Basket Rail



PDC-CWHD
Wreath & Hanging
Basket Display



PDC-05PH
Flower Pail Holder



PDC-0768
7" X 68" Sign Holder



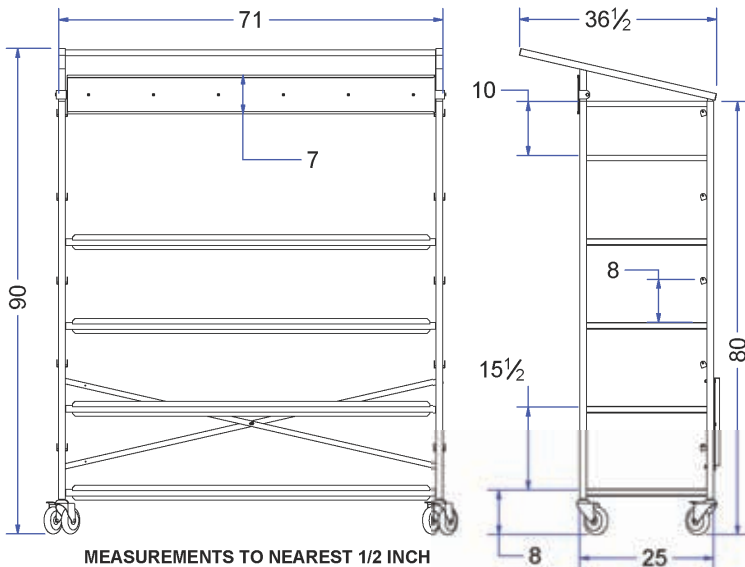
PDC-02SB
Pair Clip-on Sign Bars
for 8mm.5/16" Coroplast Sign

ONE CART ENDLESS DESIGN POSSIBILITIES



**DISPLAY CART FOR
15 FLOWER PAIS
(PDC2472T-305PH)**

GENERAL DIMENSIONS



**DISPLAY CART WITH
3 WREATH/HANGING
BASKET RACKS
(PDC2472T-3CWHD)**