

The **PDC2468 Power Point Cart System** is the economical solution for out or indoor store front sales and promotions.

Designed for a wide variety of floral and general merchandise products.

This compact cart system allows for many **different custom options** that will allow you to use it 365 days of the year.

ADVANTAGES

- Quick return on investment
- Compact 24" deep, large capacity
- Creates attractive store front
- Great promoter for any 'Sale'
- Market test campaigns
- Easy to move through store front doors
- Solid build, long lasting
- Hot Dipped Galvanized steel after welding



Patent Pending

Model DC2468 shown loaded for sales with the optional 2 tier Clip-on End Caps PDC2468-EC



MORE OPTIONS

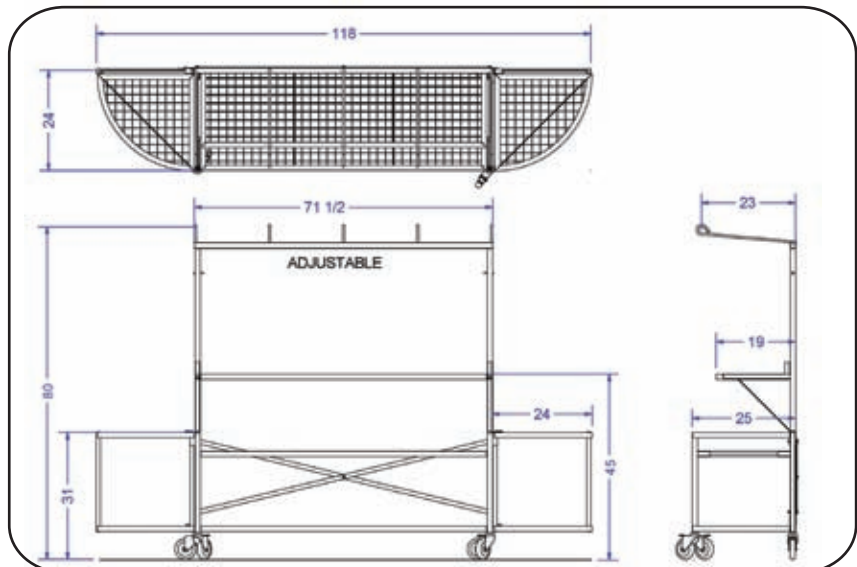
Flower Pail Holder
PDC-05PH



7" X 68" Clip-on Sign
Holder PDC-0768



Pair of adjustable
Clip-on Sign Bars
holds 8m Coroplast
PDC-02SB



NEW



PDC3568

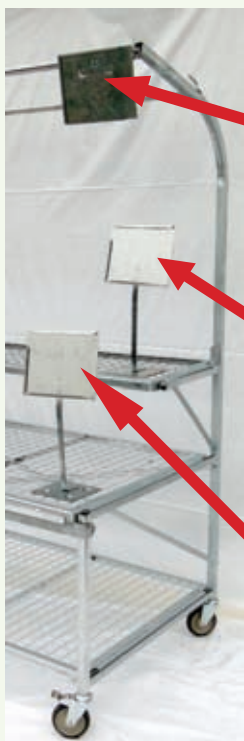
Sturdy long lasting hot-dipped galvanized steel construction.



A powerful point of display

The **PDC3568 Power Point Cart** is an economical solution for out or indoor store front sales and promotions.

Designed for a wide variety of floral and general merchandise products.



**SEE ALL OUR
SIGN HOLDERS !**

MS0810-C
Galvanized Sign Holder
To clip to Flower Rail
(8.5" x 11")

MSB118.5
Bedding Plant Sign Holder
1 Pc, Sign with Base
(8.5" x 11")

MSBL118.5
Bedding Plant Sign
Holder Locks to
Wire Mesh Shelving
(8.5" x 11")

General Dimensions

